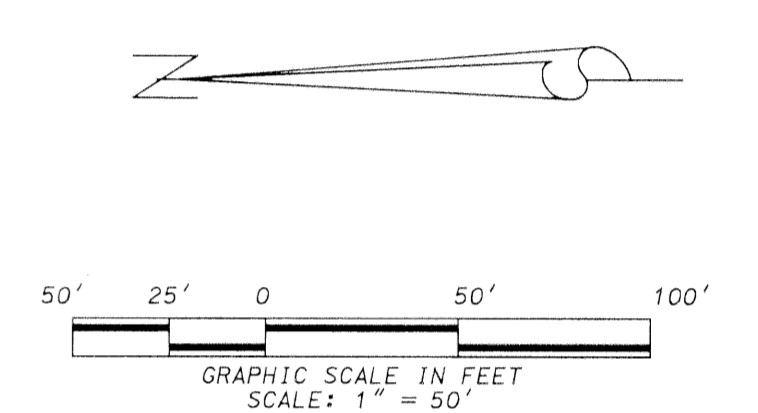
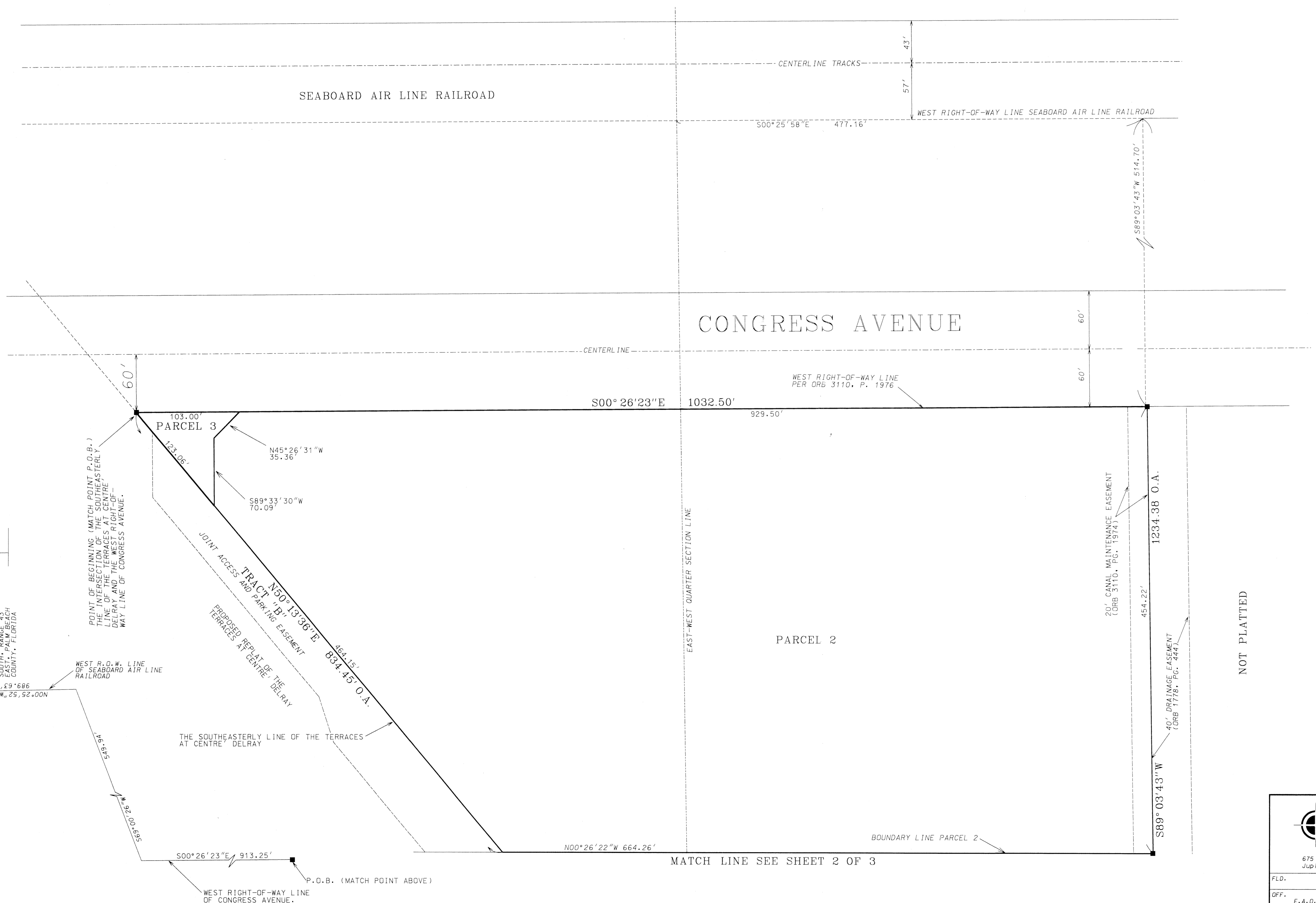


# CATALFUMO P.O.C. PLAT

BEING A PORTION OF THE TERRACES AT CENTRE' DELRAY,  
 AS RECORDED IN PLAT BOOK 45, PAGE 49, AND LAKESIDE  
 AT CENTRE' DELRAY AS RECORDED IN PLAT BOOK 50, PAGE  
 195, LOCATED IN SECTION 30, TOWNSHIP 46 SOUTH, RANGE  
 43 EAST, CITY OF DELRAY BEACH, PALM BEACH COUNTY, FLORIDA  
 MARCH 1996  
 SHEET 3 OF 3

55



NOT PLATED

**LIDBERG LAND SURVEYING INC.**  
 675 West Indiantown Road, Suite 200,  
 Jupiter, Florida 33458 TEL. 407-746-8454

FLD.	JOB 95-772	FB.	PG.
OFF.	E.A.O.	DATE	3-11-96
CKD.	D.C.L.	REF.	ELMOREPL
		DWG.	D95-772
		SHEET	3 OF 3

SUBDIVISION CATALFUMO  
 BOOK 77 PAGE 55  
 FLOOD ZONE - FLOOD MAP # -  
 QUAD # - ZONING -  
 SE - ZIP CODE -  
 PUD NAME CITY OF DELRAY

TAZ 510

MATCH LINE SEE SHEET 2 OF 3